



740 GC

Articulated Truck

Technical Specifications

Configurations and features may vary by region. Please consult your Cat® dealer for availability in your area.

Table of Contents

Specifications	2
Engine	2
Weights	2
Air Conditioning System	2
Body Capacities	2
Transmission	2
Sound Levels	2
Operating Weights	3
Body Plate	3
Body Plate Thickness	3
Service Refill Capacities	3
Body Hoist	3
Standards	3
Dimensions	4
Turning Circle	5
Steering	5
Optimal Loader/Truck Pass Matching	5
Gradeability/Speed/Rimpull	6
Retarding Performance	7
 Standard and Optional Equipment	 8

740 GC Articulated Truck Specifications

Engine

Engine Model	Cat C15	
Gross Power – SAE J1995	337 kW	452 hp
Net Power – SAE J1349	327 kW	439 hp
Engine Power – ISO 14396	333 kW	447 hp
Bore	137 mm	5.4 in
Stroke	171.5 mm	6.75 in
Displacement	15.2 L	926 in ³

- The power ratings apply at an engine speed of 1,700 rpm when tested under the conditions for the specified standard in effect at the time of manufacture.
- The net power advertised is the power available at the flywheel when the engine is equipped with alternator, air cleaner, muffler, and fan at minimum speed.
- Net power when the fan is at maximum speed is 327 kW (439 hp) per the SAE reference conditions.
- The C15 engine meets U.S. EPA Tier 4 Final, EU Stage V, Korea Tier 4 Final, and Japan 2014 emission standards.
- DEF used in Cat SCR systems must meet the requirements outlined in the International Organization for Standardization (ISO) standard ISO 22241-1. Requirements are met by many brands of DEF, including those that carry the AdBlue or API certifications.

No Engine Derating Below	3050 m	10,000 ft
Peak Engine Torque Gross (SAE J1995)	2320 N·m	1,711 lbf-ft
Peak Engine Torque Net (SAE J1349)	2264 N·m	1,670 lbf-ft
Peak Engine Torque Speed	1,200 rpm	

Weights

Rated Payload	36.3 tonnes	40 tons
---------------	-------------	---------

Air Conditioning System

- The air conditioning system on this machine contains the fluorinated greenhouse gas refrigerant R134a (Global Warming Potential = 1430). The system contains 1.1 kg of refrigerant which has a CO₂ equivalent of 1.716 metric tonnes.

Body Capacities

Heaped SAE 2:1	22.7 m ³	29.7 yd ³
Struck	17 m ³	22.2 yd ³
Tailgate Heaped SAE 2:1	24.4 m ³	31.9 yd ³
Tailgate Struck	17.9 m ³	23.4 yd ³

Transmission

Forward 1	6.4 km/h	4.0 mph
Forward 2	8.5 km/h	5.3 mph
Forward 3	11.5 km/h	7.3 mph
Forward 4	14.8 km/h	9.2 mph
Forward 5	19.7 km/h	12.2 mph
Forward 6	24.0 km/h	14.9 mph
Forward 7	33.1 km/h	20.6 mph
Forward 8	39.8 km/h	24.7 mph
Forward 9	57.5 km/h	35.7 mph
Reverse 1	6.8 km/h	4.2 mph
Reverse 2	15.7 km/h	9.8 mph

Sound Levels

- | | |
|--------------|----------|
| Interior Cab | 72 dB(A) |
|--------------|----------|
- The declared dynamic operator sound pressure level is 72 dB(A) when ISO 6396:2008 is used to measure the value for an enclosed cab. The measurement was conducted at 70% of the cooling fan's maximum speed. The sound level may vary at different cooling fan speeds. The measurement was conducted with the cab doors and the cab windows closed. The cab was properly installed and maintained.
 - Hearing protection may be needed when operating with an open operator station and cab or when not properly maintained or with doors/windows open for extended periods or in noisy environments.

740 GC Articulated Truck Specifications

Operating Weights

Front Axle – Empty	19 321 kg	42,596 lb
Center Axle – Empty	6639 kg	14,636 lb
Rear Axle – Empty	6416 kg	14,145 lb
Total – Empty	32 376 kg	71,377 lb
Front Axle – Rated Load	2126 kg	4,687 lb
Center Axle – Rated Load	17 087 kg	37,670 lb
Rear Axle – Rated Load	17 087 kg	37,670 lb
Total – Rated Load	36 300 kg	80,027 lb
Front Axle – Loaded	22 554 kg	49,723 lb
Center Axle – Loaded	23 173 kg	51,088 lb
Rear Axle – Loaded	22 949 kg	50,594 lb
Total – Loaded	68 676 kg	151,405 lb

Body Plate

High strength Brinell HB450 wear resistant steel

Body Plate Thickness

Front Plate	7 mm	0.28 in
Base Plate	13 mm	0.51 in
Side Plates	11 mm	0.43 in

Service Refill Capacities

Fuel Tank	550 L	145.3 gal
Cooling System	90 L	23.7 gal
Brake Cooling Tank	67 L	17.7 gal
Steering/Hoist Hydraulic System	140 L	36.9 gal
Engine Crankcase	52 L	13.7 gal
Transmission/Output Transfer Gear	75 L	19.8 gal
Final Drives (each)	5 L	1.3 gal
Axles (each)	60 L	15.8 gal
Diesel Exhaust Fluid (DEF) Tank	25 L	6.5 gal

Body Hoist

Raise Time	12 Seconds
Lower Time	12 Seconds

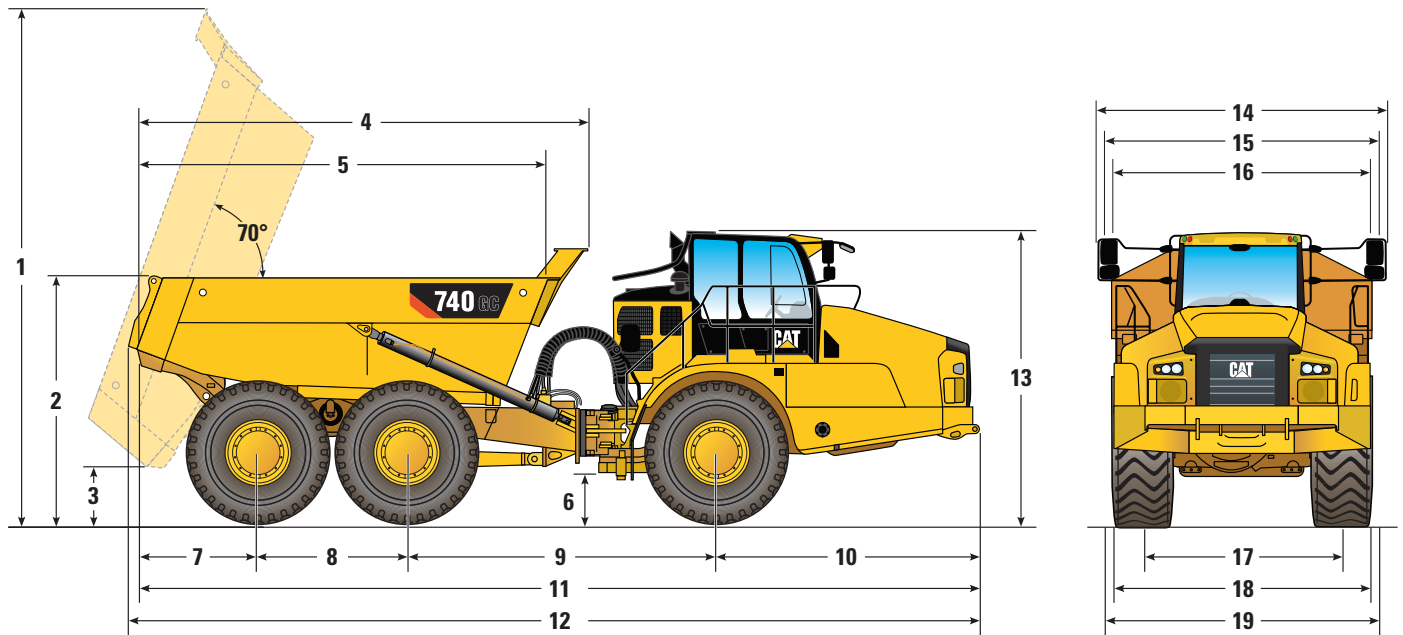
Standards

Brakes	ISO 3450:2011
Cab/FOPS	ISO 3449:2005 Level II
Cab/ROPS	ISO 3471:2008
Steering	ISO 5010:2019

740 GC Articulated Truck Specifications

Dimensions

All dimensions are approximate.



	mm	ft/in
1 Body Height Fully Tipped	6736	22'1"
2 Load over Height	3202	10'6"
3 Ground Clearance - Body Fully Tipped	684	2'2"
4 Body Length	5962	19'5"
5 Body Length Inside	5426	17'8"
6 Ground Clearance	588	1'9"
7 Rear Axle Center to Body Rear	1542	5'1"
8 Mid Axle to Rear Axle Center	1966	6'5"
9 Mid Axle to Front Axle (Centers)	4126	13'6"
10 Front Axle Center to Machine Front	3418	11'2"
11 Overall Length	11 052	36'3"
12 Overall Length with Tailgate	11 173	36'7"
13 Height Transport Position	3757	12'3"
14 Overall Width	3801	12'4"
15 Width over Tailgate/Width Including Tailgate	3647	12'0"
16 Body Width	3422	11'2"
17 Track Width	2687	8'9"
18 Width over Tire	3370	11'1"
19 Width over Fenders	3500	11'5"

740 GC Articulated Truck Specifications

Turning Circle

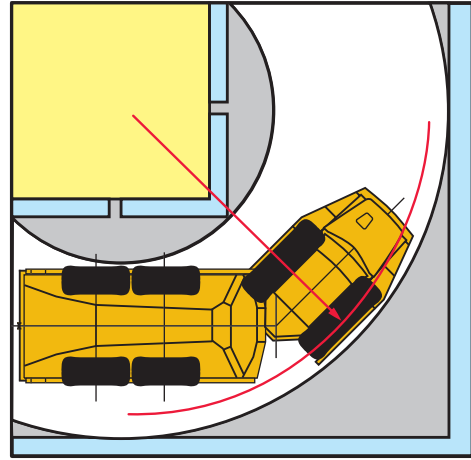
Dimensions are for machines equipped with 29.5 R25 tires.

Turning Dimensions

Steer Angle – From Center Left/Right	45°	
SAE Turning Radius	7698 mm	303 in
Clearance Radius	8395 mm	330 in
Inside Radius	3960 mm	156 in
Aisle Width	5595 mm	220 in

Steering

Lock to Lock 4.75 seconds at 60 rpm



Optimal Loader/Truck Pass Matching

Hydraulic Excavators	374	352
Passes	3-4	5-6

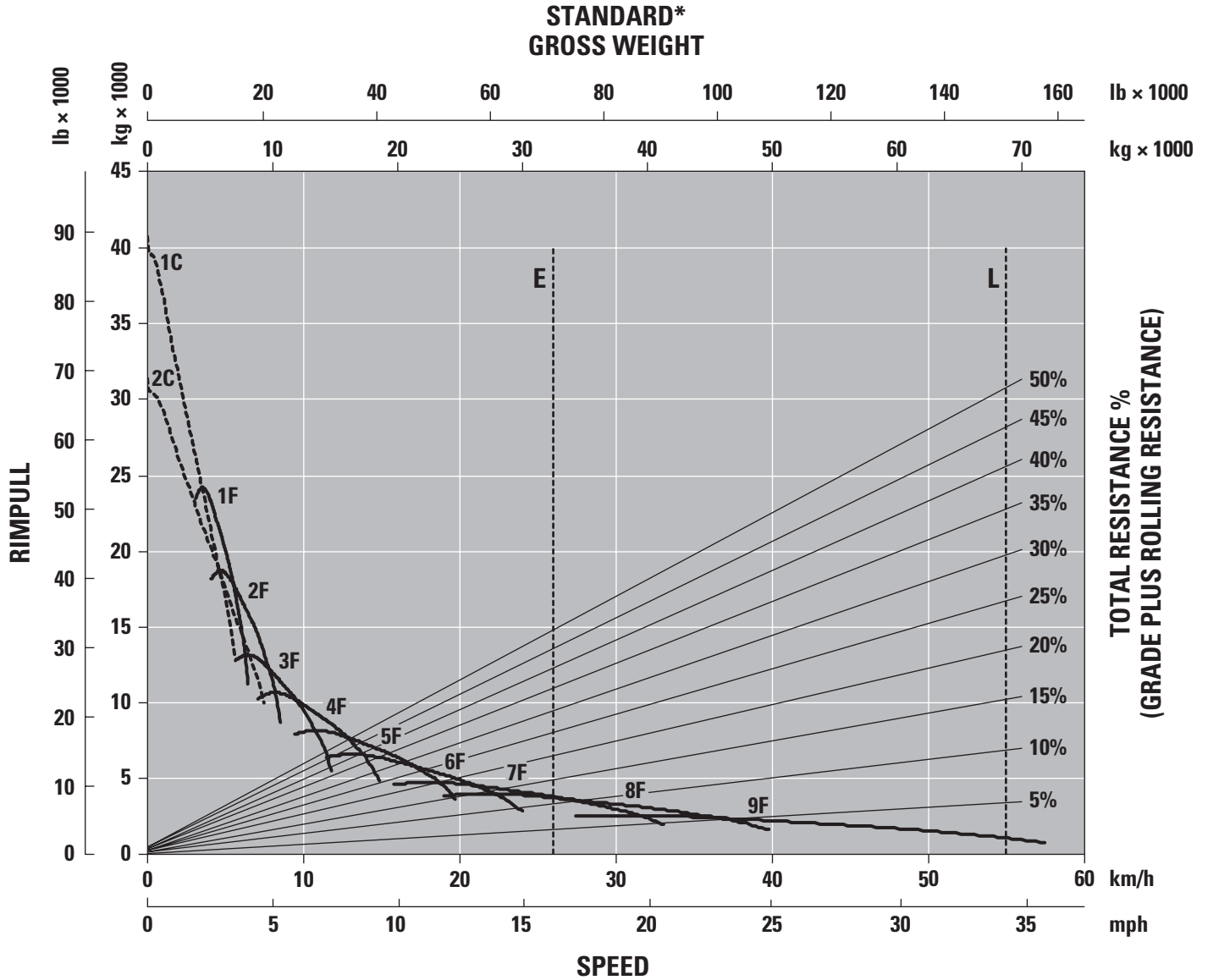
Wheel Loaders	972M	966M	962M
Passes	3	4-5	5

An optimum system match gives you a major productivity advantage. The 740 GC is an excellent match for the Cat 374 and 352 Hydraulic Excavators and Cat 972M, 966M, and 962M Wheel Loaders. Having matched loading and hauling tools results in increased production and lower system costs per unit of volume moved.

740 GC Articulated Truck Specifications

Gradeability/Speed/Rimpull

To determine performance, read from Standard Gross Weight down to Total Resistance %. Total Resistance equals actual % grade plus 1% for each 10 kg/metric ton (20 lb/ton) of Rolling Resistance. From this point, read horizontally to the curve with the highest attainable speed range. Then, go down to Speed. Usable Rimpull depends on traction available.



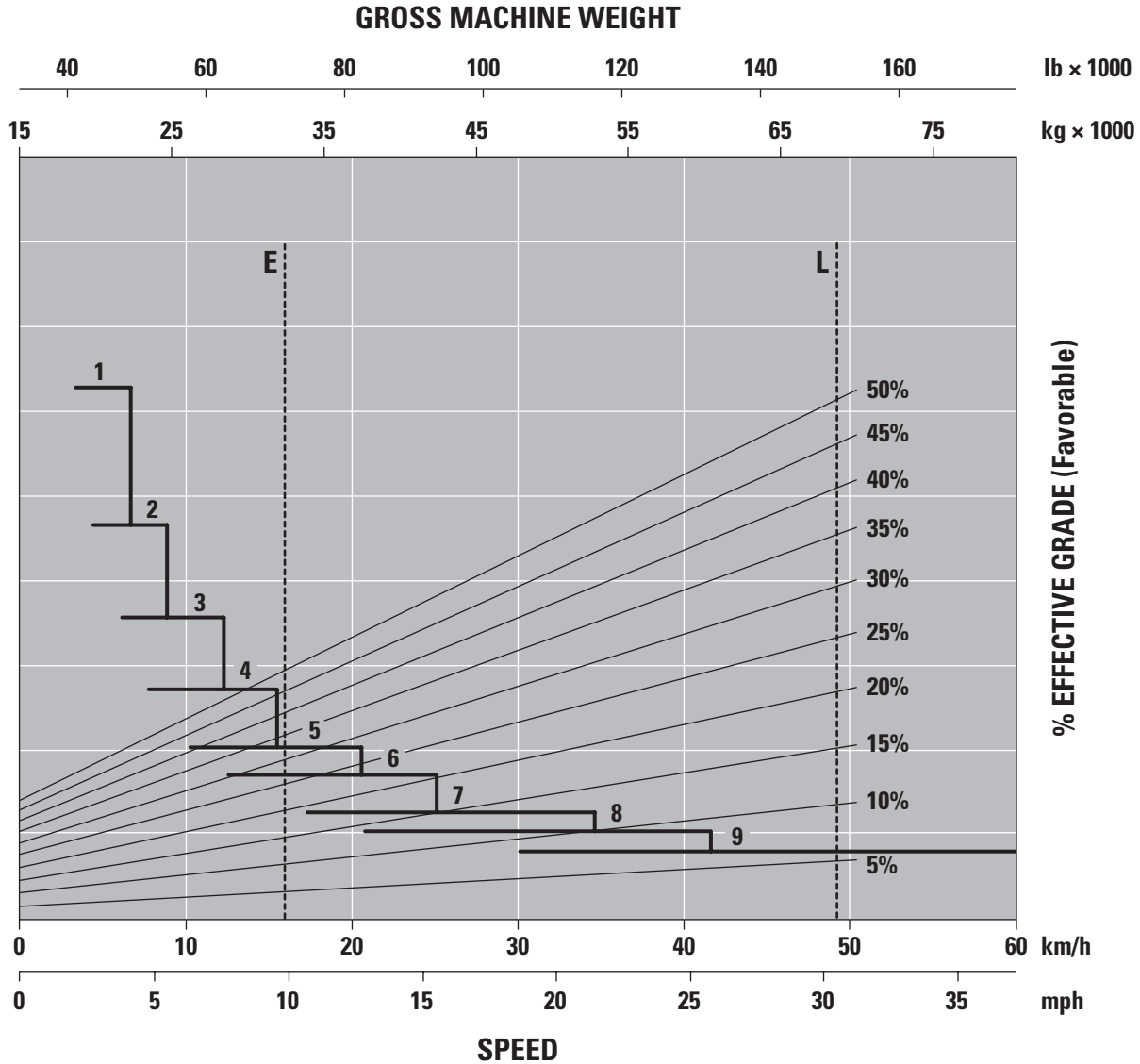
- 1C – 1st Gear (Converter Drive)
- 1F – 1st Gear (Direct Drive)
- 2C – 2nd Gear (Converter Drive)
- 2F – 2nd Gear (Direct Drive)
- 3F – 3rd Gear
- 4F – 4th Gear
- 5F – 5th Gear
- 6F – 6th Gear
- 7F – 7th Gear
- 8F – 8th Gear
- 9F – 9th Gear

- E – Empty 32 376 kg (71,377 lb)
- L – Loaded 68 676 kg (151,405 lb)
- * at sea level

740 GC Articulated Truck Specifications

Retarding Performance

To determine performance, read from Gross Machine Weight down to % Effective Grade. Effective Grade equals actual % favorable grade plus 1% for each 10 kg/metric ton (20 lb/ton) of Rolling Resistance. From this point, read horizontally to the curve with the highest attainable speed range. Then, go down to Speed. Retarding effect on these curves represents full application of the retarder.



- 1 – 1st Gear
- 2 – 2nd Gear
- 3 – 3rd Gear
- 4 – 4th Gear
- 5 – 5th Gear
- 6 – 6th Gear
- 7 – 7th Gear
- 8 – 8th Gear
- 9 – 9th Gear

- E – Empty 32 376 kg (71,377 lb)
- L – Loaded 68 676 kg (151,405 lb)

740 GC Articulated Truck Standard & Optional Equipment

Standard and Optional Equipment

Standard and optional equipment may vary. Consult your Cat dealer for details.

	Standard	Optional		Standard	Optional
OPERATOR ENVIRONMENT			TECHNOLOGY		
Air conditioning with R134a refrigerant	✓		Machine Security System (MSS)		✓
Adjustable air vents	✓		Cat Production Measurement payload monitoring system		✓
Combined gear selection and hoist control lever	✓		Cat Detect with Stability Assist	✓	
Glass windows: front, laminated and tinted; sides and rear, toughened and tinted	✓		Product Link™ Elite: PLE641 (cellular)	✓	
Heater and defroster with four-speed fan	✓		Product Link Elite: PLE631E (satellite)		✓
Infrared glass – high ambient cab		✓	ELECTRICAL AND LIGHTING		
Liquid Crystal Display (LCD): alert indicator, selected gear and direction, speed or auto shift, Operation and Maintenance Manual (OMM), primary steering failure (warning), seat belt warning, secondary steering failure, Diesel Particulate Filter (DPF) regeneration filter, secondary steering energy source engaged, hour meter, retarder active	✓		Batteries (two) maintenance free	✓	
Mirrors: extensive arrangement for improved visibility	✓		Cold weather start attachment		✓
Mirrors, heated motorized		✓	Engine block heater		✓
Machine operation monitoring system: action lamp, engine oil pressure, primary steering system, left and right turn signal, high beam, coolant temperature, tachometer, parking brake, fuel level, transmission oil temperature, brake system, transmission hold, hoist control, hydraulic system, charging system, transmission fault, traction control system, check engine lamp	✓		Ether start		✓
Radio, Bluetooth® stereo system		✓	Electrical system: 24-volt, 10A 24- to 12-volt converter	✓	
Seats: operator – fully adjustable, air suspension, retractable lap belt; trainer – padded with retractable lap belt	✓		Flashing LED beacon		✓
Seat, heated/cooled		✓	Horn	✓	
Seat belt, four-point		✓	Lighting systems: cab interior, two head lamps, two width marker, two reversing, work light/cab access light, two stop/tail lights, front and rear direction indicators	✓	
Secondary steering – electro hydraulic	✓		Main disconnect switch	✓	
Storage: cup holder, flask receptacle (under the secondary seat), under seat storage, door pocket, behind seat storage, coat hook	✓		Remote starting receptacle (cables not included)	✓	
Sun visor	✓		Roof-mounted High Intensity Discharge (HID) work lights		✓
Tilt and telescopic steering wheel	✓		POWER TRAIN		
Touchscreen display incorporating the rearview camera video feed	✓		Auto shift nine-speed forward and two-speed reverse transmission	✓	
Window blinds		✓	Cat C15 engine		✓
Windows (tinted) opening both sides	✓		CX38 transmission		✓
Windshield wiper and washer, two speed, intermittent (front)	✓		Cat Clean Emission Module (CEM) and exhaust aftertreatment package	✓	
Windshield wiper and washer, two speed (rear)		✓	Differentials: standard with automatic clutched inter- and cross-axle differential locks	✓	
			Dual circuit oil immersed, enclosed brakes – all wheels	✓	
			Retarder: engine compression brake	✓	
			Three axle, six-wheel drive	✓	
			SAFETY		
			Reverse alarm	✓	
			Rearview camera	✓	
			ROPS/FOPS cab	✓	
			GUARDS		
			Axle	✓	
			Crankcase	✓	
			Front dump body spill guard, integral part of fabricated body	✓	
			Radiator	✓	
			Rear window	✓	

740 GC Articulated Truck Standard & Optional Equipment

Standard and Optional Equipment

Standard and optional equipment may vary. Consult your Cat dealer for details.

	Standard	Optional
OTHER		
Auto lube installation for automatic greasing of bearings		✓
Bare chassis (no body) standard wheel base		✓
Bare chassis (no body) long wheel base		✓
Body liners		✓
Cold weather coolant -51°C (-60°F)		✓
Exhaust heated body		✓
Fast fuel fill		✓
Fuel additive – anti-waxing		✓

	Standard	Optional
OTHER (CONTINUED)		
Mud flaps: wheel arch and body mounted with transportation tiebacks	✓	
Scissor tailgate		✓
S•O•S SM sampling valves	✓	
Sound suppression (standard in EFTA*)	✓	
Sound suppression (optional outside EFTA*)		✓
Tires, six 29.5 R25	✓	
Vandalism protection: lockable caps	✓	
Wheel chocks		✓

* EFTA countries are EU countries plus Iceland, Norway, Lichtenstein, and Switzerland.

For more complete information on Cat products, dealer services, and industry solutions, visit us on the web at www.cat.com.

Materials and specifications are subject to change without notice. Featured machines in photos may include additional equipment. See your Cat dealer for available options.

© 2020 Caterpillar. All Rights Reserved. CAT, CATERPILLAR, LET'S DO THE WORK, their respective logos, Product Link, S•O•S, "Caterpillar Corporate Yellow", the "Power Edge" and Cat "Modern Hex" trade dress as well as corporate and product identity used herein, are trademarks of Caterpillar and may not be used without permission.

AEXQ2608-00 (10-2020)
Build Number: 04A
(N Am, Eur, Aus-NZ, Jpn)

