



Cat[®] 301.7 CR

MINI EXCAVATOR

FEATURES:

The Cat[®] 301.7 CR Mini Excavator delivers power and performance in a compact size to help you work in a wide range of applications.

ALL DAY COMFORT

- Adjustable wrist rests and a suspension seat option help keep you working comfortably all day long.

EASY TO OPERATE

- Controls are easy to use and the intuitive Next Generation LCD monitor provides easy to read machine information.

STICK STEER TRAVEL MODE

- Moving around the job site is even easier with the Cat Stick Steer option. Easily switch from traditional travel controls with levers and pedals to joystick controls with a push of a button. The benefit of less effort and improved control is in your hands!

BIG PERFORMANCE IN A COMPACT DESIGN

- Strong lift and dig performance helps you get the job done faster. The compact radius design and retractable undercarriage lets you access and work in the tightest areas. Dig-to-blade and dozer float features allow for easy clean up.

SAFETY ON THE JOB SITE

- Your safety is our top priority. The Cat mini excavator is designed to help keep you safe on the job. Courtesy work lights and a fluorescent retractable seat belt are just a couple of the safety features we've built into the machine.

SIMPLE SERVICE FOR LESS DOWNTIME

- Maintenance is quick and easy on the Cat mini excavator. Routine check points are easy to access at ground level through the side doors. The unique tilt up canopy lets you reach additional service areas when needed.

LOWER OPERATING COSTS

- Equipped with features such as auto idle, auto engine shutdown, and efficient hydraulics with a variable displacement pump, the Cat mini excavator was designed with reducing your operating costs in mind.

UNMATCHED DEALER SUPPORT

- Your Cat dealer is here to help you reach your business goals. From providing equipment solutions to operator training to service needs and beyond, your Cat dealer is ready to help.

Specifications

Engine

Engine Model	C1.1	
Net Power @ 2,400 rpm		
ISO 9249, 80/1269/EEC	15.7 kW	21 hp
Gross Power		
SAE J1995:2014	16.1 kW	21.6 hp
Bore	77.0 mm	3.0 in
Stroke	81.0 mm	3.2 in
Displacement	1.1 L	69.0 in ³

- Meets U.S. EPA Tier 4 Final and EU Stage V emission standards.
- Net power is tested per ISO 9249:2007 and 80/1269/EEC.
- Engine power is tested per ISO 14396:2002.
- Net power advertised is the power available at the flywheel when the engine is at rated speed and rated power when the engine is installed with the factory configured fan, air intake system, exhaust system, and alternator with a minimum alternator load.

Weights

Minimum Operating Weight with Canopy*	1790 kg	3,946 lb
Maximum Operating Weight with Canopy**	1915 kg	4,222 lb
EU: CE Plate Weight***	1890 kg	4,167 lb

*Minimum Weight is based on rubber tracks, operator, expandable undercarriage and full fuel tank.

**Maximum Weight is based on steel tracks, operator, expandable undercarriage and full fuel tank.

***CE Plate Weight is based on the most common EU configuration.

Includes 75 kg (165 lb) operator and full fuel tank and excludes bucket.

Weight Increase from Minimum Configuration

Long Stick	10 kg	22 lb
Steel Tracks	50 kg	110 lb
Expandable Undercarriage	Standard	
Heavy Counterweight	67 kg	148 lb



301.7 CR Mini Excavator

Travel System

Travel Speed – High	4.4 km/h	2.7 mph
Travel Speed – Low	2.9 km/h	1.8 mph
Maximum Traction Force – High Speed	11.9 kN	2,675.2 lbf
Maximum Traction Force – Low Speed	18.4 kN	4,136.5 lbf
Ground Pressure – Minimum Weight	27.9 kPa	4.0 psi
Ground Pressure – Maximum Weight	30.0 kPa	4.4 psi
Gradeability (maximum)	30 degrees	

Service Refill Capacities

Cooling System	3.9 L	1.0 gal
Engine Oil	4.4 L	1.2 gal
Fuel Tank	22.0 L	5.8 gal
Hydraulic Tank	18.0 L	4.8 gal
Hydraulic System	26.0 L	6.9 gal

Hydraulic System

Load Sensing Hydraulics with Variable Displacement Piston Pump		
Pump Flow @ 2,400 rpm	66 L/min	17.4 gal/min
Operating Pressure – Equipment	245 bar	3,553.4 psi
Operating Pressure – Travel	245 bar	3,553.4 psi
Operating Pressure – Swing	147 bar	2,132.1 psi
Auxiliary Circuit – Primary		
Flow	33 L/min	8.7 gal/min
Pressure	245 bar	3,553.4 psi
Auxiliary Circuit – Secondary		
Flow	14 L/min	3.7 gal/min
Pressure	245 bar	3,553.4 psi
Digging Force – Stick (standard)	9.5 kN	2,135.7 lbf
Digging Force – Stick (long)	8.3 kN	1,865.9 lbf
Digging Force – Bucket	16.2 kN	3,641.9 lbf

Swing System

Machine Swing Speed	9.8 rpm
---------------------	---------

Blade

Width*	990 mm	39.0 in
Height	225 mm	8.9 in

*Expanded – 1300 mm (51 in)

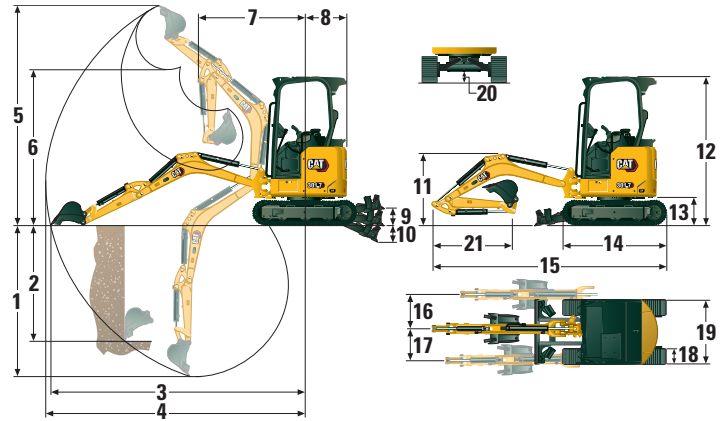
Certification – Canopy

Roll Over Protective Structure (ROPS)	ISO 12117-2:2008
Tip Over Protective Structure (TOPS)	ISO 12117:1997
Top Guard	ISO 10262:1998 (Level I)

Sound

Average Exterior Sound Pressure (ISO 6395:2008)	93 dB(A)
---	----------

• European Union Directive “2000/14/EC”



Dimensions

	Standard Stick	Long Stick
1 Dig Depth	2350 mm (92.5 in)	2540 mm (100.0 in)
2 Vertical Wall	1800 mm (70.9 in)	1890 mm (74.4 in)
3 Maximum Reach at Ground Level	3900 mm (153.5 in)	4060 mm (159.8 in)
4 Maximum Reach	3970 mm (156.3 in)	4130 mm (162.6 in)
5 Maximum Dig Height	3430 mm (135.0 in)	3490 mm (137.4 in)
6 Maximum Dump Clearance	2450 mm (96.5 in)	2510 mm (98.8 in)
7 Boom in Reach	1630 mm (64.2 in)	1620 mm (63.8 in)
8 Tail Swing	650 mm (25.6 in)	650 mm (25.6 in)
9 Maximum Blade Height	270 mm (10.6 in)	270 mm (10.6 in)
10 Maximum Blade Depth	265 mm (10.4 in)	265 mm (10.4 in)
11 Boom Height in Shipping Position	1090 mm (42.9 in)	1040 mm (40.9 in)
12 Overall Shipping Height	2300 mm (90.6 in)	2300 mm (90.6 in)
13 Swing Bearing Height	442 mm (17.4 in)	442 mm (17.4 in)
14 Overall Undercarriage Length	1590 mm (62.6 in)	1590 mm (62.6 in)
15 Overall Shipping Length†	3620 mm (142.5 in)	3590 mm (141.3 in)
16 Boom Swing Right	50 degrees	50 degrees
17 Boom Swing Left	65 degrees	65 degrees
18 Track Belt/Shoe Width	230 mm (9.1 in)	230 mm (9.1 in)
19 Track Width		
Retracted	990 mm (39.0 in)	990 mm (39.0 in)
Expanded	1300 mm (51.18 in)	1300 mm (51.18 in)
20 Minimum Ground Clearance Below Undercarriage	140 mm (5.5 in)	140 mm (5.5 in)
21 Stick Length	960 mm (37.8 in)	1160 mm (45.7 in)

†Overall Shipping Length depends on blade position during shipment.

Lift Capacities – Minimum Configuration*

Lift Point Height			2 m (6.6 ft)			Lift Point Radius (Maximum)			
			Over Front		Over Side	Over Front		Over Side	m (ft)
			Blade Up	Blade Down		Blade Up	Blade Down		
2 m (6.6 ft)	Standard Stick	kg (lb)				232 (517)	336 (744)	246 (549)	3.1 (10.0)
	Long Stick	kg (lb)				210 (467)	268 (593)	223 (497)	3.3 (10.8)
1.5 m (4.9 ft)	Standard Stick	kg (lb)	442 (946)	442 (946)	442 (946)	204 (452)	329 (726)	217 (481)	3.3 (10.8)
	Long Stick	kg (lb)				186 (412)	265 (585)	199 (440)	3.5 (11.7)
1 m (3.3 ft)	Standard Stick	kg (lb)	435 (938)	775 (1,644)	458 (988)	190 (420)	336 (740)	203 (448)	3.4 (11.7)
	Long Stick	kg (lb)	441 (950)	636 (1,351)	464 (1,000)	174 (384)	273 (600)	186 (411)	3.6 (12.5)
0 m (0 ft)	Standard Stick	kg (lb)	398 (858)	938 (2,018)	422 (909)	189 (418)	398 (877)	202 (446)	3.4 (11.7)
	Long Stick	kg (lb)	394 (848)	946 (2,031)	417 (899)	172 (380)	323 (712)	185 (407)	3.6 (11.7)

*Minimum Weight includes rubber tracks, canopy, operator, full fuel tank, expanded undercarriage, and no bucket.

Lift Capacities – Maximum Configuration**

Lift Point Height			2 m (6.6 ft)			Lift Point Radius (Maximum)			
			Over Front		Over Side	Over Front		Over Side	m (ft)
			Blade Up	Blade Down		Blade Up	Blade Down		
2 m (6.6 ft)	Standard Stick	kg (lb)				264 (587)	336 (744)	278 (619)	3.1 (10.0)
	Long Stick	kg (lb)				239 (532)	268 (593)	253 (562)	3.3 (10.8)
1.5 m (4.9 ft)	Standard Stick	kg (lb)	442 (946)	442 (946)	442 (946)	233 (516)	329 (726)	246 (546)	3.3 (10.8)
	Long Stick	kg (lb)				213 (472)	265 (585)	226 (500)	3.5 (11.7)
1 m (3.3 ft)	Standard Stick	kg (lb)	491 (1,059)	775 (1,644)	515 (1,110)	218 (481)	336 (740)	231 (509)	3.4 (11.7)
	Long Stick	kg (lb)	497 (1,071)	636 (1,351)	520 (1,122)	200 (442)	273 (600)	212 (469)	3.6 (12.5)
0 m (0 ft)	Standard Stick	kg (lb)	455 (979)	938 (2,018)	479 (1,031)	218 (480)	398 (877)	231 (509)	3.4 (11.7)
	Long Stick	kg (lb)	450 (969)	946 (2,031)	474 (1,021)	199 (438)	323 (712)	211 (466)	3.6 (11.7)

**Maximum Weight includes steel tracks, canopy, operator, full fuel tank, expanded undercarriage, heavy counterweight, and no bucket.

301.7 CR Mini Excavator

Standard and Optional Equipment

Standard and optional equipment may vary. Consult your Cat dealer for details.

	Standard	Optional		Standard	Optional
ENGINE			OPERATOR ENVIRONMENT (continued)		
Cat C1.1 Engine (U.S. EPA Tier 4 Final/EU Stage V)	✓		Next Generation Color LCD Monitor (IP66)	✓	
Automatic Engine Idle	✓		– Fuel Level and Coolant Temperature Gauges	✓	
Automatic Engine Shutdown	✓		– Maintenance and Machine Monitoring	✓	
Automatic Two Speed Travel	✓		– Performance and Machine Adjustments	✓	
Fuel Water Separator	✓		– Numeric Security Code	✓	
Power on Demand (not available in all regions)	✓		– Multiple Languages	✓	
Variable Displacement Piston Pump	✓		– Hour Meter with Wake Up Switch	✓	
Load Sensing/Flow Sharing Hydraulics	✓		UNDERCARRIAGE		
HYDRAULICS			Expandable Undercarriage	✓	
Smart Tech Electronic Pump	✓		Rubber Belt (230 mm/9 in wide)	✓	
Accumulator	✓		Steel Track (230 mm/9 in wide)		✓
Automatic Swing Brake	✓		Dozer Blade	✓	
Auxiliary Hydraulic Lines	✓		Dozer Blade Float	✓	
One and Two Way Auxiliary Flow	✓		Hydraulic Track Adjusters	✓	
Continuous Auxiliary Flow	✓		Tie Downs on Track Frame	✓	
Auxiliary Line Quick Disconnects	✓		BOOM, STICK AND LINKAGES		
OPERATOR ENVIRONMENT			One Piece Boom (1780 mm/70 in)	✓	
Tilt-up Canopy	✓		Standard Stick (960 mm/37.8 in)	✓	
Top Guard ISO 10262:1998 Level I	✓		Long Stick (1160 mm/45.7 in)		✓
ROPS – ISO 12117-2:2008	✓		Front Shovel Capable	✓	
TOPS – ISO 12117:1997	✓		Pin-On	✓	
Machine 2-Point Lifting	✓		Dual Lock Manual Coupler		✓
Stick Steer Mode	✓		Thumb Ready (not available in all regions)	✓	
Travel Cruise Control	✓		Certified Lifting Eye (optional in some regions)	✓	
Control Pattern Changer (optional in some regions)	✓	✓	Attachments including Couplers, Thumbs, Buckets, Augers and Hammers		✓
Adjustable Wrist Rests	✓		2nd Auxiliary Hydraulic Lines		✓
Washable Floor Mat	✓		Boom Lowering Check Valve		✓
Travel Pedals and Hand Levers	✓		Stick Lowering Check Valve		✓
No Travel Pedals and Hand Levers		✓	Hydraulic Quick Coupler Lines (not available in all regions)		✓
Machine Security	✓		ELECTRICAL		
Standard Key with Pass Code	✓		12 Volt Battery	✓	
Push to Start with Key Fob/Pass Code		✓	Software (machine and monitor)	✓	
Vinyl Non-Suspension Seat	✓		Maintenance Free Battery	✓	
Vinyl Suspension Seat		✓	Battery Disconnect		✓
Hydraulic Lockout – All Controls	✓		Signaling/Warning Horn	✓	
Retractable High Visibility Seat Belt (75 mm/3 in)	✓		12 Volt Power Socket	✓	
Coat Hook	✓		Product Link PL243 (regulations apply)		✓
Cup Holder	✓		Product Link PLE643 (regulations apply)		✓
Storage Pocket	✓		Travel Alarm (standard in some regions)		✓
Skylight	✓		GUARDING		
Mounting Bosses for Front	✓		Guard, Canopy		✓
Signaling/Warning Horn	✓		Guard, Mesh		✓
Boom Light, Halogen	✓		OTHER		
LED Front Lights		✓	Bio Oil Capable		✓
LED Front and Rear Lights		✓	Eco Drain		✓
LED Boom Light		✓	Water Jacket Heater		✓
Utility Space for Mobile Phone	✓		Heavy Counterweight		✓
Mirrors Left and Right		✓			

For more complete information on Cat products, dealer services, and industry solutions, visit us on the web at www.cat.com

© 2020 Caterpillar
All rights reserved

Materials and specifications are subject to change without notice. Featured machines in photos may include additional equipment. See your Cat dealer for available options.

CAT, CATERPILLAR, LET'S DO THE WORK, their respective logos, "Caterpillar Corporate Yellow," the "Power Edge" and Cat "Modern Hex" trade dress as well as corporate and product identity used herein, are trademarks of Caterpillar and may not be used without permission.

AEHQ8145-05 (08-2020)
Replaces AEHQ8145-04
Build Number: 05A
(Global excluding China and Japan)

